



WINDOW COVERING & SHADING SYSTEMS

Product Catalogue

Made To Measure

New JAI Cassette System



Cassette Made To Measure Pricing - Colours

		Width (m)								Deduct For Head Box Only:	
		1.00	1.25	1.50	1.75	2.00	2.25	2.50	2.75		3.00
Height (m)	1.00										
	1.25										
	1.50										
	1.75										
	2.00										
	2.25										
	2.50										
	2.75										
	3.00										

All pricing excludes GST

Cassette Made To Measure Pricing - Mill Finish

		Width (m)								Deduct For Head Box Only:	
		1.00	1.25	1.50	1.75	2.00	2.25	2.50	2.75		3.00
Height (m)	1.00										
	1.25										
	1.50										
	1.75										
	2.00										
	2.25										
	2.50										
	2.75										
	3.00										

All pricing excludes GST

Inclusions:

- Geared or Direct Drive Chain Mechanism.
- Stainless Steel Chain Loop - size to be specified.
- Tube cut to size and of appropriate type for the blind width.
- Side channel and base bar fitted with a brush strip.
- Components will be cut according to the specified dimensions and assembled ready for fabric fitting and installation.

Not Included:

- Fabric skin is to be supplied and fitted by the customer.
- Any motor options selected and required accessories are not included in the system pricing. These will be supplied based on individual component pricing. There is no extra charge to fit the motor.
- Other consumables such as spline or tape for fixing the skin to the tube or base bar is not included but can be purchased separately if required.

New JAI Cassette System - Made To Measure Order Form



Company Name:

Contact Phone #:

Contact Email:

Contact Name:

Order Reference:

Dimensions:

Width (mm):

Drop (mm):

Colour:

Satin White:
 Clear Anodised:
 Satin Black :

Fixing:

Face Fix:
 Reveal Fix:

Control Side:

Left:
 Right:

System:

With Side Channels:
 Head Box Only:

Mechanism:

Geared:
 Direct Drive:



**Or (additional cost option)
Intro Motor:**

AM35628EL:
 AM35628R:
 AM35628S:
 AM25130SOL:

Special/Powder Coat:
 (price to be quoted on application)

Chain (for non-motorised):

Stainless Steel:
 Plastic:
White Black Grey Ivory Driftwood
 Chain Size:
50cm 75cm 100cm 120cm 150cm 180cm 200cm

Remote:

1 Channel:
 2 Channel:
 6 Channel:
 16 Channel:

Inclusions:

- Geared or Direct Drive Chain Mechanism.
- Stainless Steel or Plastic Chain Loop - size to be specified.
- Tube cut to size and of appropriate type for the blind width.
- Side channel and base bar fitted with a brush strip.
- Components will be cut according to the specified dimensions and assembled ready for fabric fitting and installation.

Not Included:

- Fabric skin is to be supplied and fitted by the customer.
- Any motor options selected and required accessories are not included in the system pricing. These will be supplied based on individual component pricing. There is no extra charge to fit the motor.
- Other consumables such as spline or tape for fixing the skin to the tube or base bar is not included but can be purchased separately if required.

How to Order:

Please fill out this form and email to sales@jaipl.com.au or fax to 02 9620 4855, ensuring that your contact details have been filled in.

Cable Exit Point:

1
 2

2
 1

Panel Glide



MADE TO MEASURE PANEL TRACKS - THREE PANEL

SPECIFICATIONS

Colours - Black, Clear Anodised, White and White Birch.

Centre Open Tracks require an equal number of panels on each side.

- 3 - Slide Track = 2 Panels each side
- 4 - Slide Track = 3 Panels each side
- 5 - Slide Track = 4 Panels each side

A 1.0m flick stick is used when Wand Size is unspecified. A 70mm overlap is used to enhance blockout.

Approximate Panel Widths - Use Only As A Guide

E.G. 200cm Wide Track:

- 5 - Panel Track = 400mm
- 4 - Panel Track = 500mm
- 3 - Panel Track = 666mm

Prices are for Straight Draw Track.

Any variations from this including Centre Open, will incur a 20% surcharge

3 - PANEL TRACK

3 - PANEL TRACK	LENGTH	PRICE
PG310	1.0 m	
PG315	1.5 m	
PG320	2.0 m	
PG325	2.5 m	
PG330	3.0 m	
PG335	3.5 m	
PG340	4.0 m	
PG345	4.5 m	
PG350	5.0 m	
PG355	5.5 m	

Panel Glide



MADE TO MEASURE PANEL TRACKS - FOUR PANEL

SPECIFICATIONS

Colours - Black, Clear Anodised, White and White Birch.

Centre Open Tracks require an equal number of panels on each side.

- 3 - Slide Track = 2 Panels each side
- 4 - Slide Track = 3 Panels each side
- 5 - Slide Track = 4 Panels each side

A 1.0m flick stick is used when Wand Size is unspecified. A 70mm overlap is used to enhance blackout.

Approximate Panel Widths - Use Only As A Guide

E.G. 200cm Wide Track:

- 5 - Panel Track = 400mm
- 4 - Panel Track = 500mm
- 3 - Panel Track = 666mm

Prices are for Straight Draw Track.

Any variations from this including Centre Open, will incur a 20% surcharge

4 PANEL TRACK

4 - PANEL TRACK	LENGTH	PRICE
PG410	1.0 m	
PG415	1.5 m	
PG420	2.0 m	
PG425	2.5 m	
PG430	3.0 m	
PG435	3.5 m	
PG440	4.0 m	
PG445	4.5 m	
PG450	5.0 m	
PG455	5.5 m	

5 - PANEL TRACK

5 - PANEL TRACK	LENGTH	PRICE
PG510	1.0 m	
PG515	1.5 m	
PG520	2.0 m	
PG525	2.5 m	
PG530	3.0 m	
PG535	3.5 m	
PG540	4.0 m	
PG545	4.5 m	
PG550	5.0 m	
PG555	5.5 m	

FASHADE FASCIA SYSTEMS - MADE TO MEASURE FASCIA SYSTEM

COLOURS:

BLACK, CLEAR ANODISED, WHITE AND WHITE BIRCH

CODE	DESCRIPTION	PRICE
MMF10	100cm Made To Measure Fashade	
MMF15	150cm Made To Measure Fashade	
MMF20	200cm Made To Measure Fashade	
MMF25	250cm Made To Measure Fashade	
MMF30	300cm Made To Measure Fashade	
MMF35	350cm Made To Measure Fashade	
MMF40	400cm Made To Measure Fashade	
MMF45	450cm Made To Measure Fashade	
MMF50	500cm Made To Measure Fashade	

INFORMATION REQUIRED FROM CUSTOMERS:

Installation Brackets:

Face Fit, Reveal Fit, Reveal Fit Extension.

Colour:

Black, Clear Anodised, White & White Birch.

Dimensions:

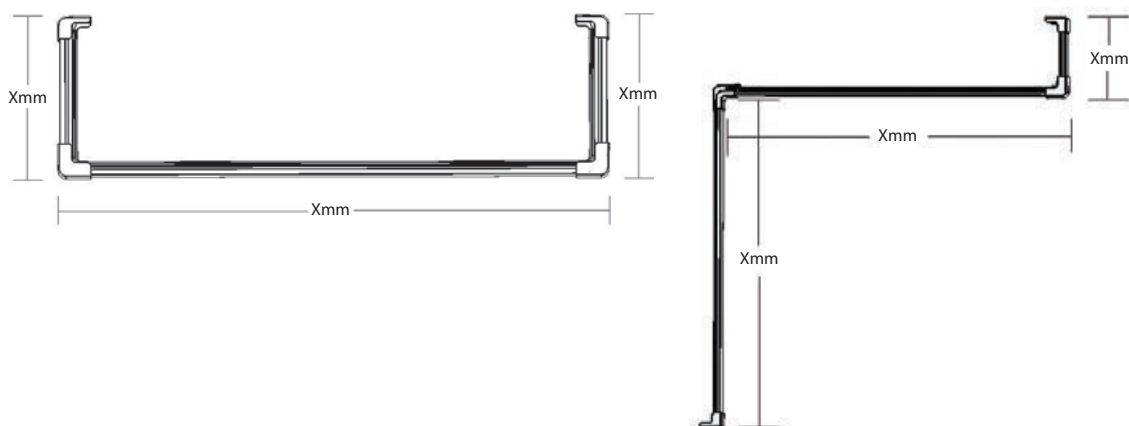
Width of the Fascia, plus the return to the wall (see below).

Must be provided as finished sizes (the necessary deductions will be made by JAI)

Minimum Return Length:

50mm

TOP VIEW



Curtain Track - Bent/Curved Tracks Made To Measure Order Form



B1/26 Powers Road,
Seven Hills, NSW,2147, Australia
P: +61 2 9620 4866
F: +61 2 9620 4855
E: sales@jaipl.com.au

COMPANY: _____

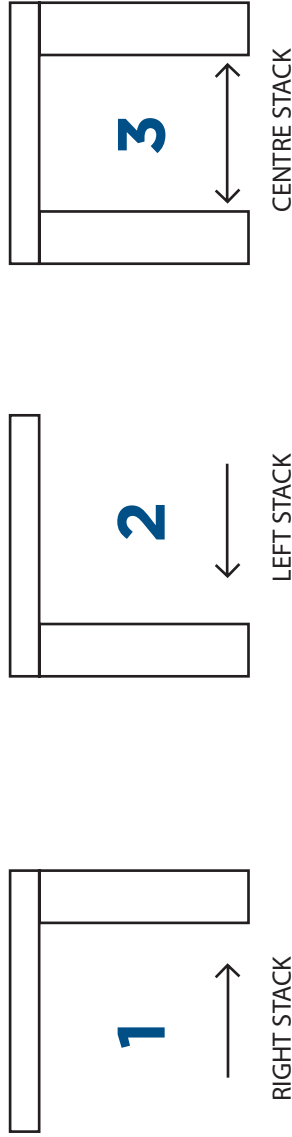
ADDRESS: _____

CUSTOMER: _____

DATE: _____

ORDER NO: _____

TRACK TYPES AVAILABLE - BEND & CURVED TRACKS IN CLEAR ANODISED ONLY



SPECIFICATIONS:

Bend/Curved tracks available only in Clear Anodised.

All motors are capable of carrying 60kgs per motor and up to 90kgs when used in tandem. All motors are low voltage with in-built receivers. All motors can be operated by wired wall switch, wireless wall remote, hand held remote or home automation.

Optima motors may be operated by hand during power failure. Top fitted tracks will have 40mm total deducted from the overall length to allow for access to switching controls.

Tracks over 5.0m in length will be manufactured with one coupling join.

Tracks over 10.0m in length will be manufactured with two coupling joins. Any additional joins requested will incur an extra charge of \$20.00. The cost of \$150.00 per bend/curve needs to be added to the Made to Measure track cost. When two bends are required a coupling join is used between the two bends. The minimum radius for each bend is 500mm. A more gradual bend (radius > 1m) can also be requested.

Each bend decreases the load capacity of each motor by 10%. For tracks with a single bend/curve and that are under 4.0m total length, only one motor is required. For tracks 4.0m and above a second motor is required.

Diagrams required for each bent/curved track (see over). In addition to this, curved tracks require full template.

NO.	OVERALL TRACK SIZE	BENT OR CURVED	FIXING		MOTOR TYPE		MOTOR SIDE			REMOTE SYSTEM			PROGRAM MOTOR TO CHANNEL	TRACK TYPE	RADIUS BEND (BEND TRACK ONLY)	
			TOP	FACE	MIGLIORIE	OPTIMA	LH	RH	WALL MOUNT	SINGLE CHNL	FOUR CHNL	500mm - 1m			>1m	
E.G.	2	2000	B	X	X	X	X	X	X	X	X	CHNL 1	2	X		

All Curtain Motors Carry A FIVE Year Replacement Guarantee.

Curtain Track - Bent/Curved Tracks Made To Measure Order Form



B1/26 Powers Road,
Seven Hills, NSW,2147, Australia
P: +61 2 9620 4866
F: +61 2 9620 4855
E: sales@jaipl.com.au

COMPANY: _____

ADDRESS: _____

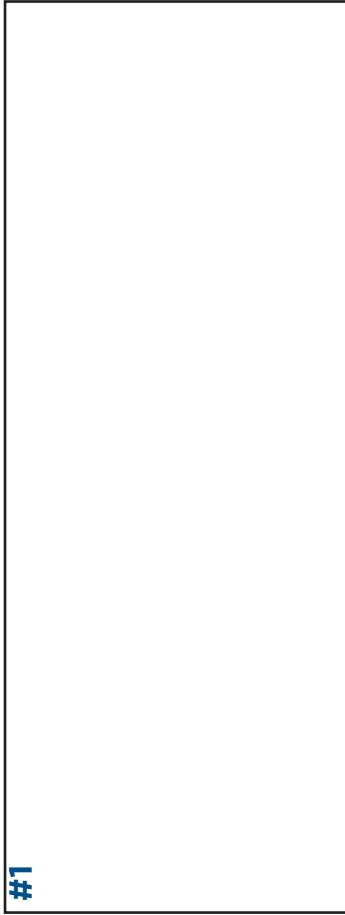
CUSTOMER: _____

DATE: _____

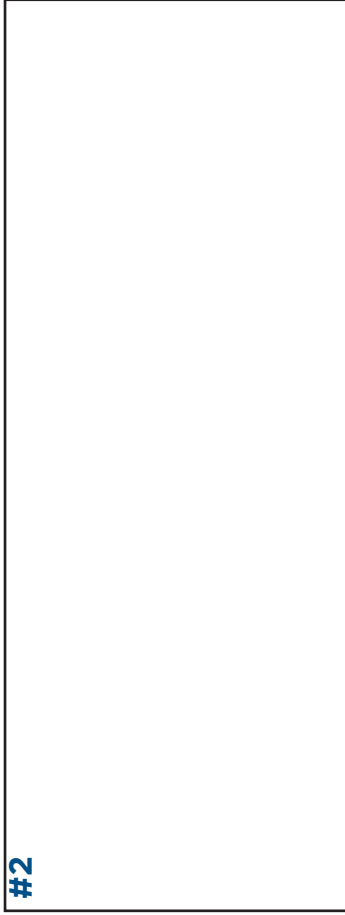
ORDER NO: _____

Bent And Curved - Track Diagram Sheets

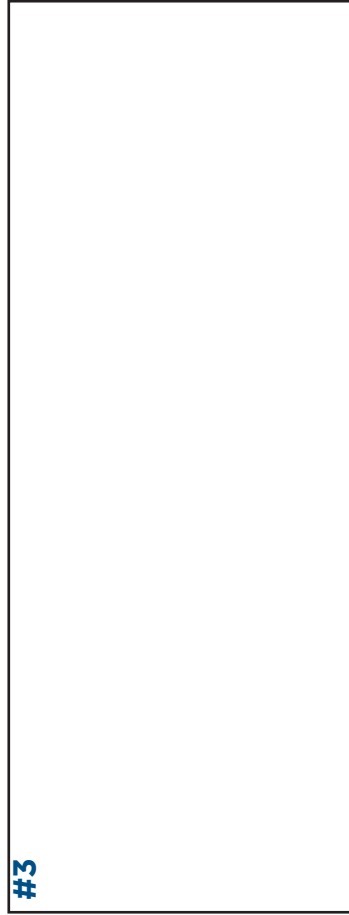
#1



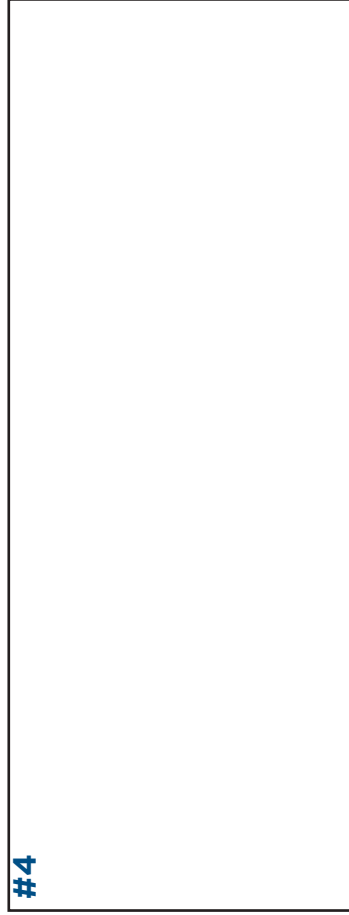
#2



#3



#4



All Curtain Motors Carry A FIVE Year Replacement Guarantee.

Motorised Curtain Tracking



MADE TO MEASURE MOTORISED CURTAIN TRACKS

STRAIGHT TRACK: ONE - WAY & SPLIT DRAW

STANDARD RUNNERS, OR PERFECT FOLD RUNNERS.

Straight tracks available in White & Clear Anodised.

All motors are capable of carrying 60kgs per motor and up to 90kgs when used in tandem. All tracks over 5.0m include a second motor. All motors are low voltage with in-built receivers. All motors can be operated by wired wall switch, wireless wall remote, hand held remote or home automation.

Optima motors may be operated by hand during a power failure. Top fitted tracks will have 40mm deducted from the overall length to allow for access to switching controls. Tracks over 5.0m in length will be manufactured with one coupling join. Tracks over 10.0m in length will be manufactured with two coupling joins. Any additional joins requested will occur an extra charge of **\$20.00**.

BENT & CURVED TRACKS: ONE - WAY SPLIT DRAW

STANDARD RUNNERS, OR PERFECT FOLD RUNNERS.

*The listed prices do not include the cost of bending/curving the track.
The cost of \$150.00 per bend/curve needs to be added to the Made To Measure track cost.*

Bent/Curved tracks ONLY available in Clear Anodised.

All motors are capable of carrying 60kgs per motor and up to 90kgs when used in tandem. All motors are low voltage with in-built receivers. All motors can be operated by wired wall switch, wireless wall remote, hand held remote or home automation.

Optima motors may be operated by hand during a power failure. Top fitted tracks will have 40mm deducted from the overall length to allow for access to switching controls. Tracks over 5.0m in length will be manufactured with one coupling join. Tracks over 10.0m in length will be manufactured with two coupling joins. Any additional joins requested will occur an extra charge of **\$20.00**.

When two bends are required, a coupling join is used between the two bends. The minimum radius for each bend is 500mm. A more gradual bend (radius > 1m) can also be requested. Each bend decreases the load capacity of each motor by 10%. For tracks with a single bend/curve and that are under 4.0m in total length, only one motor is required. A second motor is required for tracks 3.0m and above.

Motorised Curtain Tracking



MADE TO MEASURE MOTORISED CURTAIN TRACKS

STANDARD RUNNERS

MIGLIORE MOTOR	LENGTH	ROLLERS REQUIRED	BRACKETS REQUIRED	PRICE
MMCTM2	2.0M	22	3	
MMCTM3	3.0M	32	4	
MMCTM4	4.0M	42	5	
MMCTM5	5.0M	52	6	
MMCTM6	6.0M	62	7	
MMCTM7	7.0M	72	8	
MMCTM8	8.0M	82	9	
MMCTM9	9.0M	92	10	
MMCTM10	10.0M	102	12	
MMCTM11	11.0M	112	12	
MMCTM12	12.0M	124	12	

MIGLIORE MOTOR	LENGTH	ROLLERS REQUIRED	BRACKETS REQUIRED	PRICE
MMCTO2	2.0M	22	3	
MMCTO3	3.0M	32	4	
MMCTO4	4.0M	42	5	
MMCTO5	5.0M	52	6	
MMCTO6	6.0M	62	7	
MMCTO7	7.0M	72	8	
MMCTO8	8.0M	82	9	
MMCTO9	9.0M	92	10	
MMCTO10	10.0M	102	12	
MMCTO11	11.0M	112	12	
MMCTO12	12.0M	124	12	

**Remotes and Switches are not included in this Made to Measure price.
All Curtain Motors Carry A Five Year Replacement Guarantee.**

Motorised Curtain Tracking



MADE TO MEASURE MOTORISED CURTAIN TRACKS

PERFECT FOLD RUNNERS

MIGLIORE MOTOR	LENGTH	ROLLERS REQUIRED	BRACKETS REQUIRED	PRICE
MMCTPFM2	2.0M	22	3	
MMCTPFM3	3.0M	32	4	
MMCTPFM4	4.0M	42	5	
MMCTPFM5	5.0M	52	6	
MMCTPFM6	6.0M	62	7	
MMCTPFM7	7.0M	72	8	
MMCTPFM8	8.0M	82	9	
MMCTPFM9	9.0M	92	10	
MMCTPFM10	10.0M	102	12	
MMCTPFM11	11.0M	112	12	
MMCTPFM12	12.0M	124	12	

MIGLIORE MOTOR	LENGTH	ROLLERS REQUIRED	BRACKETS REQUIRED	PRICE
MMCTPFO2	2.0M	22	3	
MMCTPFO3	3.0M	32	4	
MMCTPFO4	4.0M	42	5	
MMCTPFO5	5.0M	52	6	
MMCTPFO6	6.0M	62	7	
MMCTPFO7	7.0M	72	8	
MMCTPFO8	8.0M	82	9	
MMCTPFO9	9.0M	92	10	
MMCTPFO10	10.0M	102	12	
MMCTPFO11	11.0M	112	12	
MMCTPFO12	12.0M	124	12	

**Remotes and Switches are not included in this Made to Measure price.
The cost of \$150.00 per Bend/Curve needs to be added to the Made To Measure track cost.
Diagram's required for each Bend/Curved track. In addition to this, curved tracks require a full template**

All Curtain Motors Carry A Five Year Replacement Guarantee.

Roman Shade - Made To Measure Order Form



B1/26 Powers Road,
 Seven Hills, NSW, 2147, Australia
 P: +61 2 9620 4866
 F: +61 2 9620 4855
 E: sales@jaipl.com.au

COMPANY:

CUSTOMER:

ADDRESS:

DATE:

ORDER NO:

QTY	Track Type (Cord Lock/RAC/No Sew)	Overall Width	Overall Drop	LH or RH Control	Length Of Chain Loop	Type of Chain (Plastic, Nickle, Steel)
E.G.						
2	No Sew	200m	2200mm	LH	150cm	S.Steel

SPECIFICATIONS:

Overall sizes required - all deductions will be made by J.A.I

50, 75, 100, 120, 150, 180 or 200cm Loop Increments Only.

Plastic Chain Provided, only in White to match the headrail.

50cm Pulley spacing provided unless otherwise advised.

Heavy Duty Controllers provided unless otherwise advised.

All brackets included. Hold down strips included with No Sew Track.

Roman Shade

MADE TO MEASURE RAP TRACKS - 1.0m - 3.5m Tracks



CODE	DESCRIPTION	UNIT	UNIT PRICE	PACK SIZE	Pack Price
CL100	100cm Cord Lock Tracking 50cm Spacing	EA		1 Unit	
CL101	150cm Cord Lock Tracking 50cm Spacing	EA		1 Unit	
CL102	200cm Cord Lock Tracking 50cm Spacing	EA		1 Unit	
CL103	250cm Cord Lock Tracking 50cm Spacing	EA		1 Unit	
CL104	300cm Cord Lock Tracking 50cm Spacing	EA		1 Unit	
CL105	350cm Cord Lock Tracking 50cm Spacing	EA		1 Unit	

INFORMATION REQUIRED FROM CUSTOMERS FOR EACH TRACK:

1. Track Length (after clearance deductions).
2. Left or Right Hand Cord Lock.
3. Face Fix or Reveal Fix Brackets.

Roman Shade

MADE TO MEASURE RAC TRACKS - 1.0m - 4.5m Tracks

50cm Pulley Wheel Spacing



CODE	DESCRIPTION	Pack Price
MM100	100cm Made To Measure RAC Track	
MM101	150cm Made To Measure RAC Track	
MM102	200cm Made To Measure RAC Track	
MM103	250cm Made To Measure RAC Track	
MM104	300cm Made To Measure RAC Track	
MM105	350cm Made To Measure RAC Track	
MM106	400cm Made To Measure RAC Track	
MM107	450cm Made To Measure RAC Track	

INFORMATION REQUIRED FROM CUSTOMERS FOR EACH TRACK:

1. Track Length (after clearance deductions).
2. Control Chain Loop Length (50, 75, 100, 120, 150, 180, 200 cm).
3. Type of Chain (Plastic, Nickel or Stainless Steel as per list price).
4. Left or Right Hand Control.
5. **Direct Drive or Geared Drive (Heavy Duty Geared Controller will be supplied if none specified).**

Roman Shade



MADE TO MEASURE NO SEW TRACKS - 1.0m - 3.5m Tracks

50cm Pulley Wheel Spacing



CODE	DESCRIPTION	Pack Price
NSMM1	100cm Made To Measure No Sew Track	
NSMM1.5	150cm Made To Measure No Sew Track	
NSMM2	200cm Made To Measure No Sew Track	
NSMM2.5	250cm Made To Measure No Sew Track	
NSMM3	300cm Made To Measure No Sew Track	
NSMM3.5	350cm Made To Measure No Sew Track	

INFORMATION REQUIRED FROM CUSTOMERS FOR EACH TRACK:

1. Overall Track Length (deductions will be made by J.A.I).
2. Control Chain Loop Length (50, 75, 100, 120, 150, 180, 200 cm).
3. Type of Chain (Plastic, Nickel or Stainless Steel).
4. Left or Right Hand Control.

Note: Brackets and 15mm Hold Down Strip are included with tracks.

Roman Shade



MADE TO MEASURE NO SEW TRACKS - CORD LOCK 1.0m - 3.5m Tracks

CODE	DESCRIPTION	Pack Price
NSCLMM1	100cm Made To Measure No Sew Track - Cord Lock	
NSCLMM1.5	150cm Made To Measure No Sew Track - Cord Lock	
NSCLMM2	200cm Made To Measure No Sew Track - Cord Lock	
NSCLMM2.5	250cm Made To Measure No Sew Track - Cord Lock	
NSCLMM3	300cm Made To Measure No Sew Track - Cord Lock	
NSCLMM3.5	350cm Made To Measure No Sew Track - Cord Lock	

INFORMATION REQUIRED FROM CUSTOMERS FOR EACH TRACK:

1. Overall Track Length (deductions will be made by J.A.I).
2. Control Chain Loop Length (50, 75, 100, 120, 150, 180, 200 cm).
3. Type of Chain (Plastic, Nickel or Stainless Steel).
4. Left or Right Hand Control.

Note: Brackets and 15mm Hold Down Strip are included with tracks.